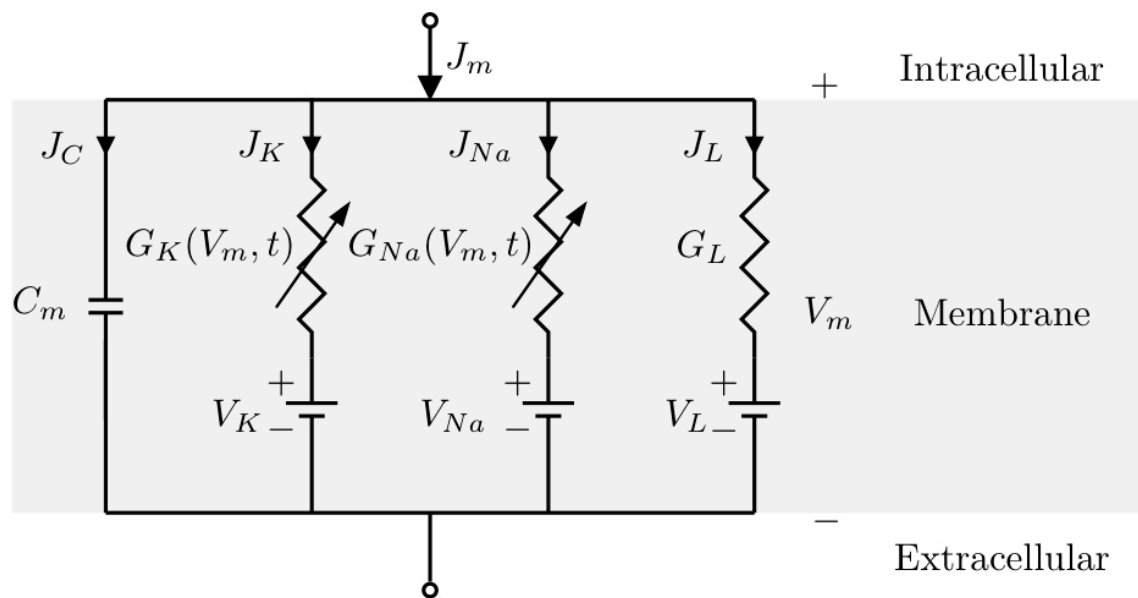
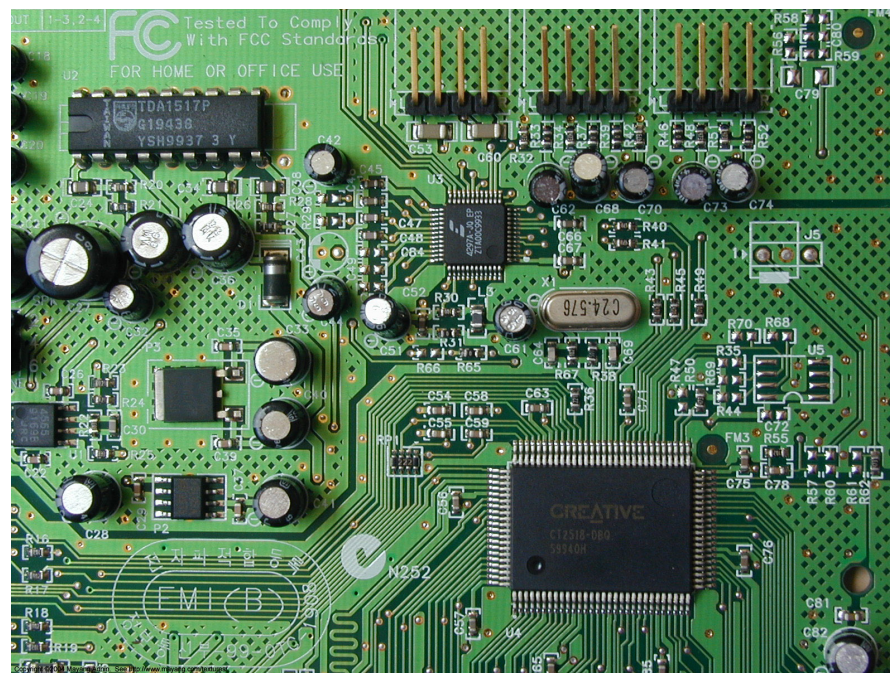
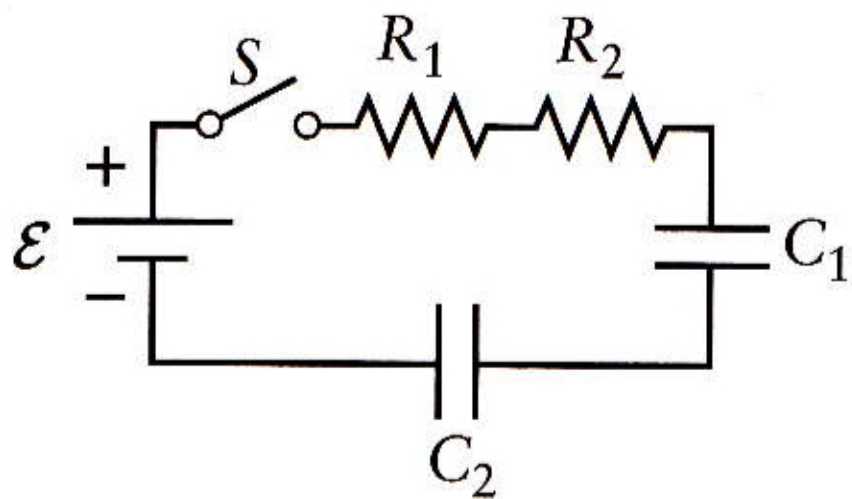


PHYS 1410 – York University
3/18/13









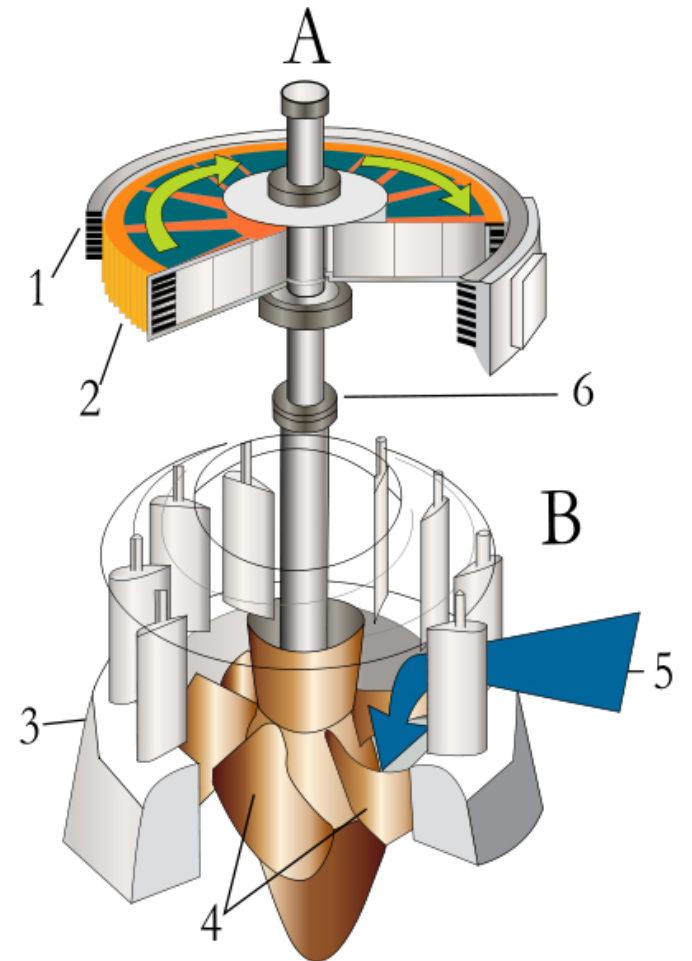
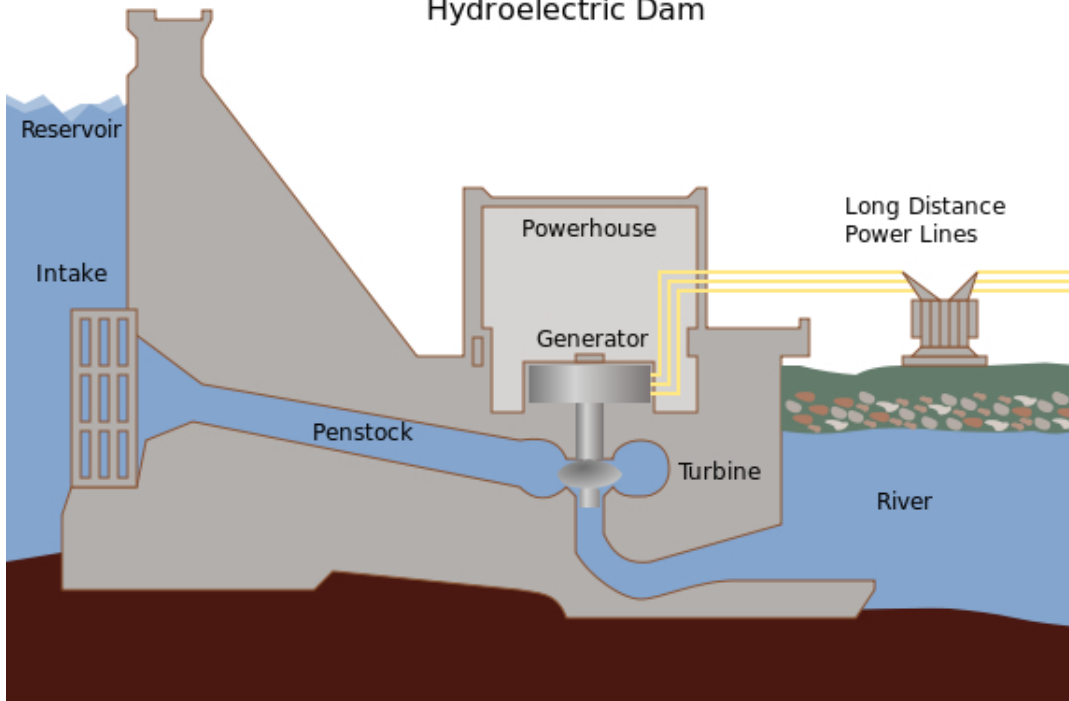
Duality here! River water has:

1. Kinetic energy (due to flow)
2. Potential energy (due to gravity)

Question: What's the 'battery'?



Hydroelectric Dam

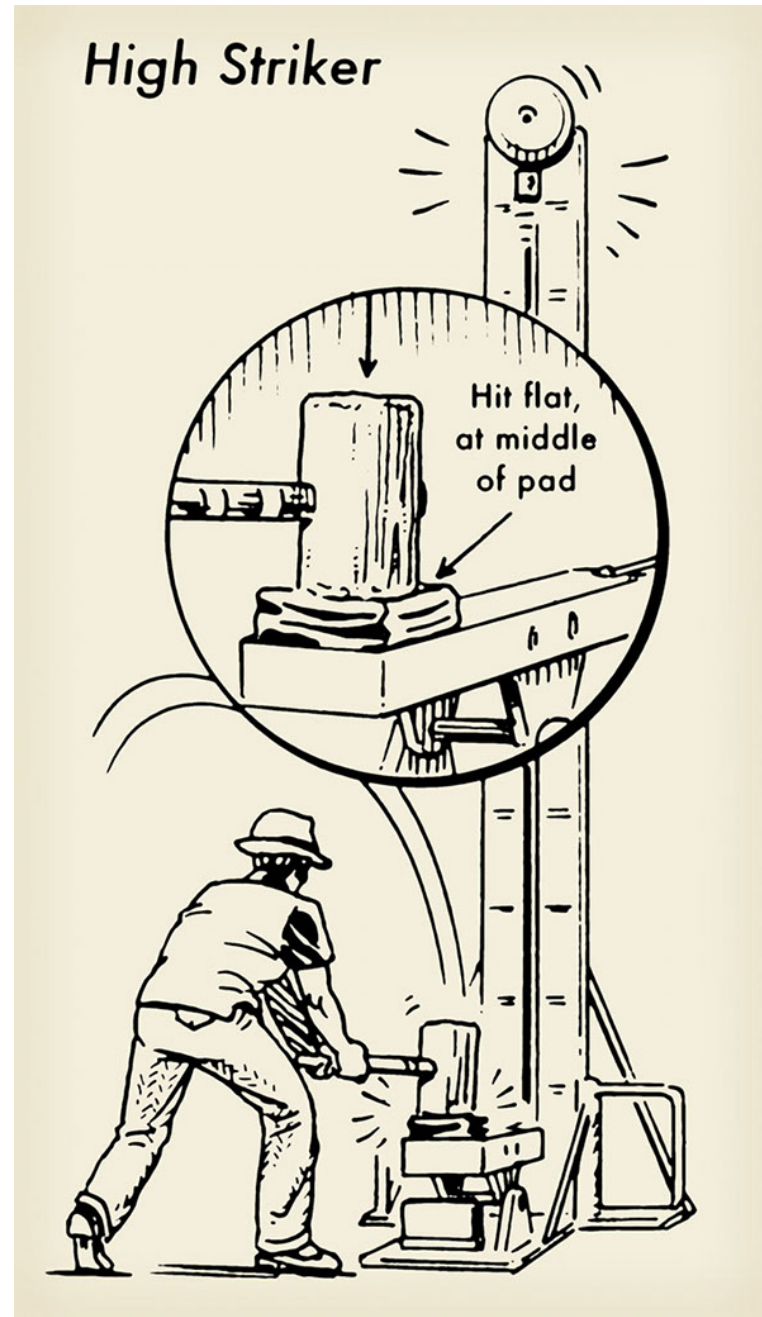




Stattball

Magnitude

→ 'Size' is key here



Phase



Phase

→ 'Timing' is key here

